

# Open Air Merchandisers

## Owner's Manual

EOMV-36-W/B-35-T, EOMV-48-W/B-35-T,  
EOMV-60-W/B-35-T, EOMV-72-W/B-35-T,  
EOMV-36-W/B-28-T/S, EOMV-48-W/B-28-T/S,  
EOMV-60-W/B-28-T/S, EOMV-72-W/B-28-T/S,  
EOMH-36-W/B-35-T/S, EOMH-48-W/B-35-T/S,  
EOMH-60-W/B-35-T/S, EOMH-72-W/B-35-T/S



REFRIGERATION  
**EVEREST**

THIS PAGE INTENTIONALLY LEFT BLANK

# Open Air Merchandisers

EOMV-36-W/B-35-T, EOMV-48-W/B-35-T, EOMV-60-W/B-35-T, EOMV-72-W/B-35-T,  
EOMV-36-W/B-28-T/S, EOMV-48-W/B-28-T/S, EOMV-60-W/B-28-T/S, EOMV-72-W/B-28-T/S,  
EOMH-36-W/B-35-T/S, EOMH-48-W/B-35-T/S, EOMH-60-W/B-35-T/S, EOMH-72-W/B-35-T/S

## Contents

---

|   |               |
|---|---------------|
| Hydrocarbon Guidelines .....            | <b>1, 2</b>   |
| Installation Instructions.....          | <b>3, 6</b>   |
| Shelf and Cantilever Installation ..... | <b>7–15</b>   |
| Under Shelf Light Installation .....    | <b>16–18</b>  |
| General Safety.....                     | <b>19</b>     |
| Electrical Safety.....                  | <b>20</b>     |
| Operation.....                          | <b>21–23</b>  |
| Care and Maintenance.....               | <b>24–27</b>  |
| Troubleshooting Guide .....             | <b>28, 29</b> |
| Warranty Information .....              | <b>30–31</b>  |



# Hydrocarbon Guidelines

This section applies to R290 Hydrocarbon units only. To identify the refrigerant type, see the data plate in the cabinet interior.

**WARNING** - THIS UNIT USES R290, A HYDROCARBON, PROPANE REFRIGERANT THAT IS ENVIRONMENTALLY FRIENDLY BUT IS ALSO HIGHLY FLAMMABLE AND EXPLOSIVE. PLEASE READ THIS MANUAL CAREFULLY AND FOLLOW ALL SAFETY PRECAUTIONS CONTAINED HEREIN TO AVOID THE RISK OF FIRE OR EXPLOSION. FAILURE TO FOLLOW THE SAFETY PRECAUTIONS MAY RESULT IN SERIOUS INJURY, OR DEATH, AND/OR PROPERTY DAMAGE.

**DANGER** - Risk of fire or explosion. Flammable refrigerant used. Do not use mechanical devices or other means to accelerate the defrosting process. Do not puncture refrigerant tubing.

**DANGER** - Risk of fire or explosion. Flammable refrigerant used. To be repaired only by trained service personnel. Do not puncture refrigerant tubing.

**CAUTION** - Risk of fire or explosion. Flammable refrigerant used. Consult Service Manual or Owner's Manual before attempting to install or service this product. All safety precautions must be followed.

**CAUTION** - Risk of fire or explosion. Flammable refrigerant used. Dispose of properly in accordance with federal or local regulations.

**CAUTION** - Risk of fire or explosion due to puncture of refrigerant tubing; follow handling instructions carefully. Flammable refrigerant used.



PROPANE (R290) IS HIGHLY APPROVED FOR USE AS A REFRIGERANT IN COMMERCIAL, SELF-CONTAINED UNITS IN THE US UNDER LIMITED USE CONDITIONS. IT CAN ONLY BE USED IN NEW EQUIPMENT. BACKFITTING OR MODIFICATIONS OF OLD EQUIPMENT ARE NOT ALLOWED. IT MUST BE CHARGED IN A STRICTLY LIMITED VOLUME OF UP TO 150 GRAMS (5.3 OZ) PER REFRIGERATION CIRCUIT. EVEN THOUGH THIS IS A SMALL AMOUNT, IT STILL PRESENTS A FIRE OR EXPLOSION HAZARD IF IT LEAKS OUT OF PARTS THAT HOLD REFRIGERANT. WHEN IT COMES IN CONTACT WITH AIR, A FLAMMABLE PROPANE-AIR MIXTURE CAN BE CREATED AND EASILY IGNITED BY ELECTRICAL SPARKS, OPEN FLAMES OR HOT SURFACES. THE RISK IS HIGHER IN SMALL, CONFINED, POORLY VENTILATED SPACES. PROPANE WILL SETTLE AT LOWER ZONES BECAUSE IT IS HEAVIER THAN AIR. TO REDUCE THESE RISKS, OBSERVE THE FOLLOWING PRECAUTIONS

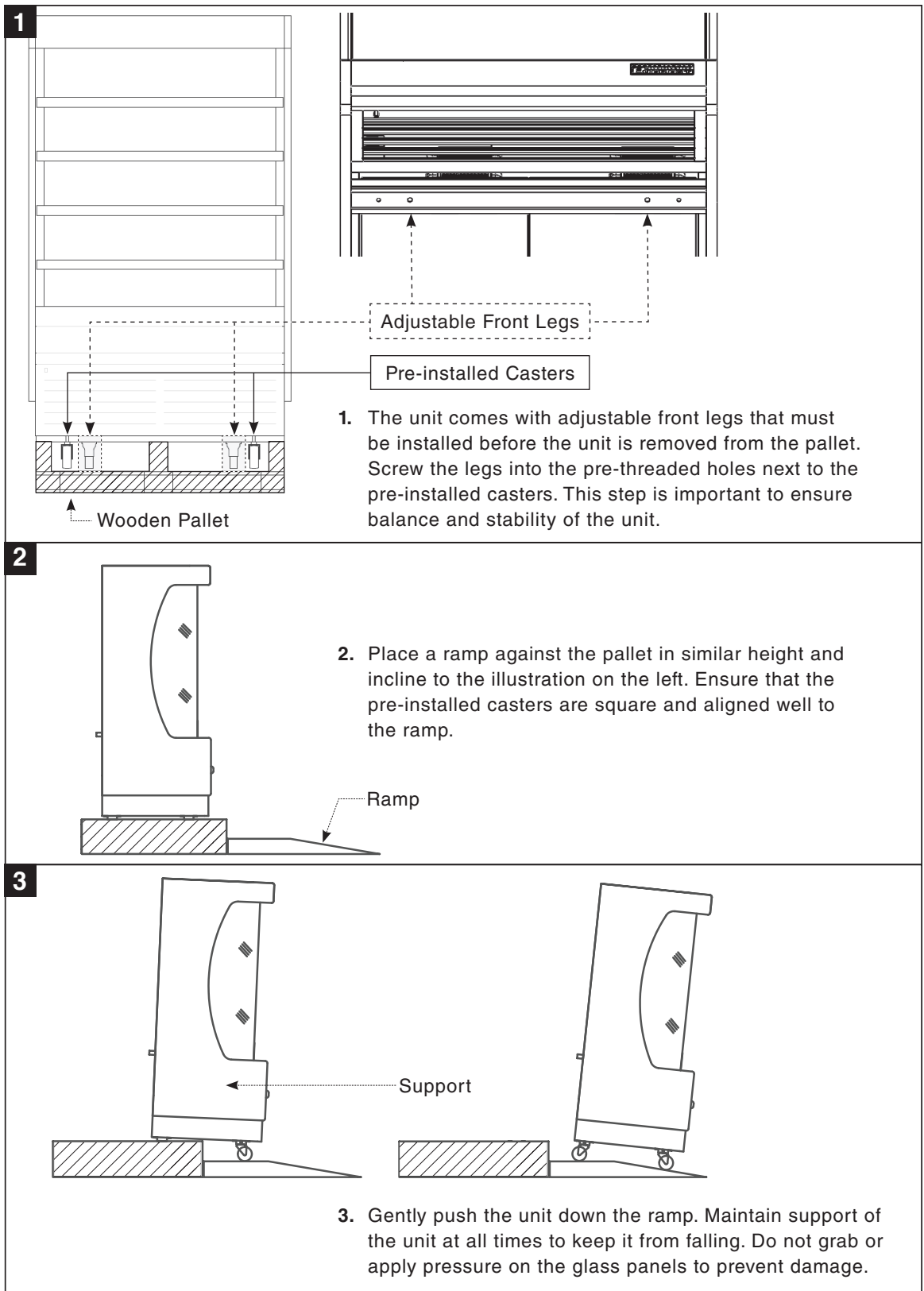
- Avoid installation of unit in areas with open flames or in general vicinity of open flames or high surface temperatures.
- Avoid unit installation in small, confined spaces. Ensure ample ventilation at all times. Keep all exhaust vents free of any blockage or obstruction.
- Do not rely on smell to detect potential leaks of propane refrigerant. Propane refrigerant is a high purity propane gas and does not contain odorants or stenching agents. These additives are typically used in fuel-grade propane and natural gas in order to give them a distinctive smell which makes it easier to detect leaks.
- General service and repairs must be performed in well-ventilated areas.
- General service and repairs must be performed only by professionals authorized by Everest Refrigeration.
- Component shall be replaced with Everest-issued, like components to minimize the risk of possible ignition resulting from incompatible parts or improper repairs.
- Do not modify, re-appropriate, or remove any functional part(s) from the unit.
- Handle the unit with care to avoid any damage.
- Practice safety guidelines when transporting the unit. Consult with your local Department of Transportation for requirements in moving flammable gasses.

# Installation Instructions

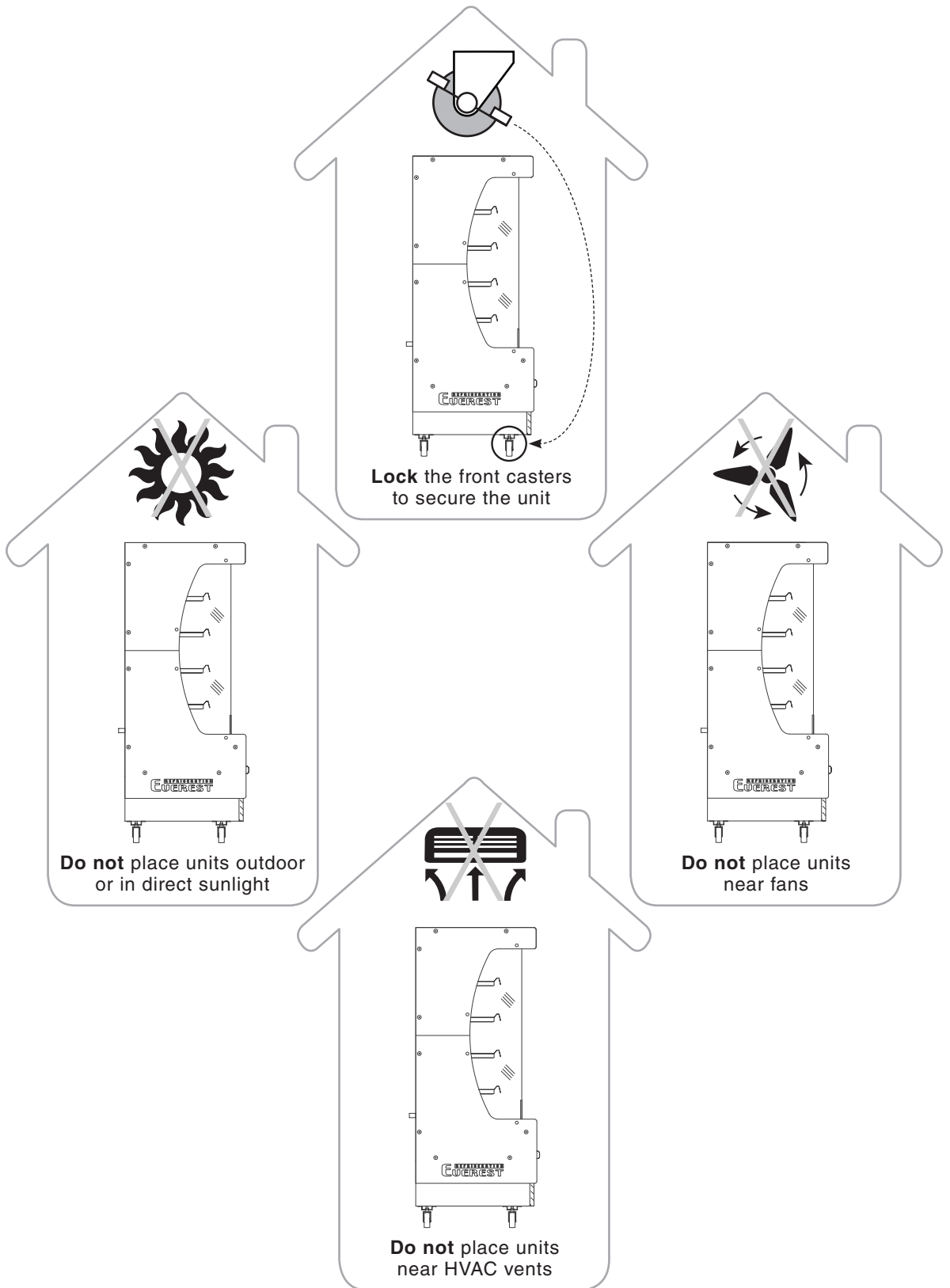
**This section applies to all Everest Open Air Merchandiser models. Correct installation ensures proper performance and longevity of your appliance. Professional installation by a trained refrigeration technician and electrician is recommended. Warranty is void if the following guidelines are not met.**

1. Inspect for freight damage upon delivery of the unit. If damaged, immediately report it to an Everest representative. Everest is not responsible for damage that occurs during shipment.
2. Keep the unit upright at all times. The compressor contains oil, refrigerant, lubricants and various chemicals. When tilted, these fluids may shift and travel to sections where they don't naturally occur. This will lead to system contamination and compressor failure.
3. Some units require caster installation for proper performance. Visit our website at [www.everestref.com](http://www.everestref.com) and enter your product's model number in the search field to determine its caster requirements.
4. Do not place your hands under the unit when moving it to avoid injury from sharp edges, protruding parts or weight impact.
5. Must not be installed near ventilation systems, fans, exterior doors or windows that will disrupt the air curtain and compromise the function of the cabinet. This will result in decreased performance, advanced component failure and the risk of fire.
6. Select a location with an air-conditioned environment where ambient temperature and relative humidity do not exceed 80°F and 55%, respectively. High temperatures exceeding 80°F (26.7°C) cause elevated compressor activity in order to maintain cabinet temperature. This will result in decreased performance, advanced component failure and the risk of fire.
7. In built-in applications, 6" clearance is required on the front, back and top exterior for ventilation purposes. This prevents overheating which can lead to advanced component failure and the risk of fire.
8. Select a location with a hard, leveled surface. Use a leveling tool on the unit to ensure proper alignment. Lock the casters and install the front leg stabilizers for units that come standard with it to ensure balance and stability.
9. Select a location close to an electrical wall outlet to ensure direct connection without the use of extension cords.
10. Select a location away from severe moisture conditions. This may compromise the unit's electrical components and lead to electrical shock and the risk of fire.
11. Select a location that will not expose the unit to extremely dusty conditions. Environments with high dust and debris content will significantly hasten condenser coil blockage and will result in decreased performance, advanced component failure and the risk of fire.
12. Do not build an enclosure or cabinet around the unit. This will restrict air ventilation resulting in elevated compressor activity, decreased performance, advanced component failure and the risk of fire.
13. The unit is not intended for use in food trucks. Limited space, lack of ventilation and ambient temperatures exceeding 80°F (26.7°C) typical to this setting will result in elevated compressor activity, decreased performance, advanced component failure and the risk of fire.
14. The unit is intended for indoor use only. It must not be installed in direct sunlight. Outdoor use will cause a decrease in performance, advanced component failure and the risk of fire.
15. Do not push or pull on the glass windows on the side panels when moving the unit. It may damage the material which may lead to a disruption in the unit's air curtain function.
16. Check the plug configuration of the unit before installation. A table showing the electrical configuration of each model can be found under Electrical Safety.

# Undocking the Unit

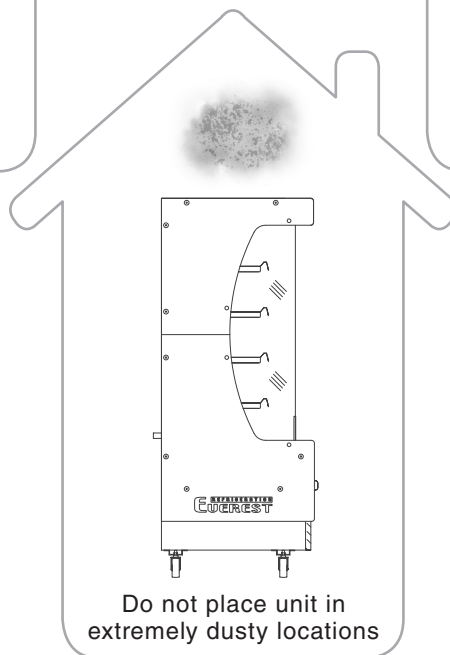
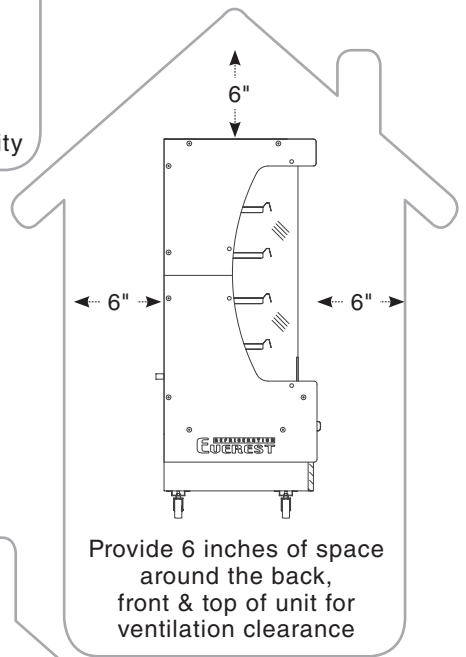
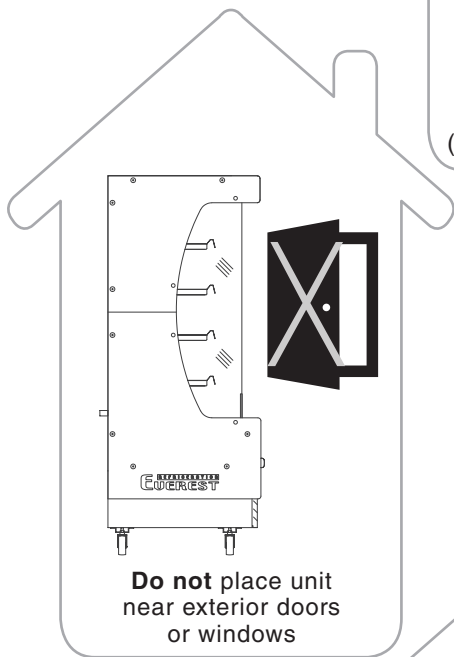
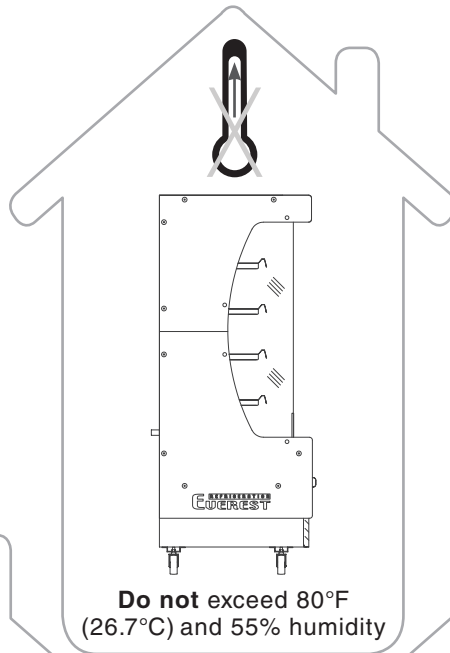


# Required Unit Conditions



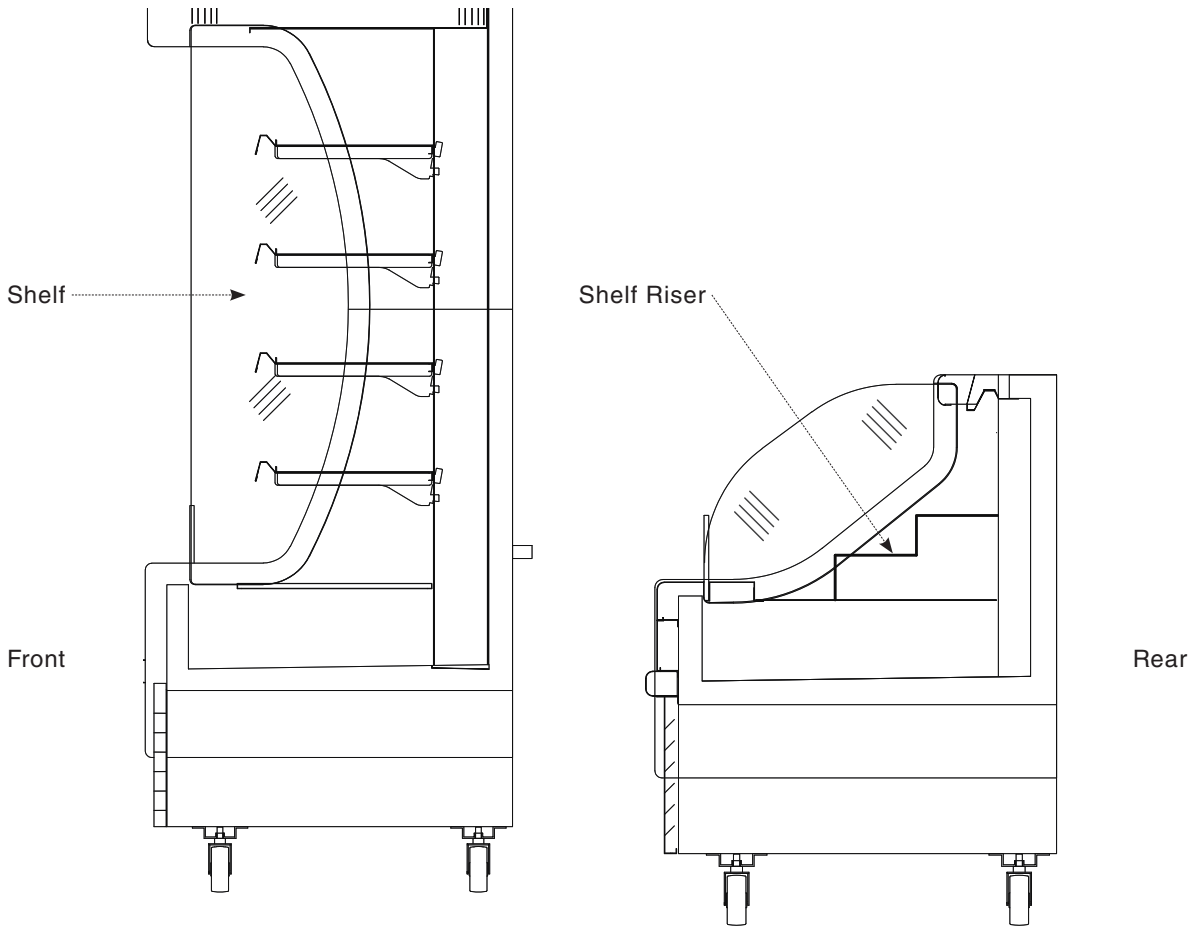


# Required Unit Conditions



# Shelf and Cantilever Installation

All models come standard with shelves and Cantilever arms except EOMH-36-B(W)-35-S, EOMH-48-B(W)-35-S, EOMH-60-B(W)-35-S and EOMH72-B(W)-35-S. These four models come standard with a shelf riser instead. Follow the instructions on the succeeding pages to properly install your unit's shelving.

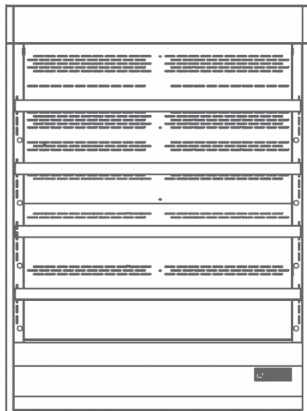


Side View

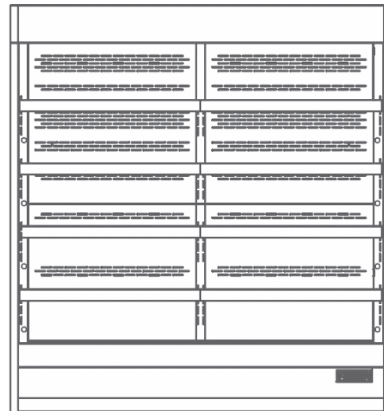
# Shelf and Cantilever Installation (Continued)

## 1. Shelf Quantity Per Model

| Model            | Shelf Per Level | Total Shelf | Left Cantilever Arm | Right Cantilever Arm |
|------------------|-----------------|-------------|---------------------|----------------------|
| EOMV-36-W/B-35-T | 1               | 4           | 4                   | 4                    |
| EOMV-48-W/B-35-T | 1               | 4           | 4                   | 4                    |
| EOMV-60-W/B-35-T | 2               | 8           | 8                   | 8                    |
| EOMV-72-W/B-35-T | 2               | 8           | 8                   | 8                    |
| EOMV-36-W/B-28-T | 1               | 4           | 4                   | 4                    |
| EOMV-48-W/B-28-T | 1               | 4           | 4                   | 4                    |
| EOMV-60-W/B-28-T | 2               | 8           | 8                   | 8                    |
| EOMV-72-W/B-28-T | 2               | 8           | 8                   | 8                    |
| EOMV-36-W/B-28-S | 1               | 3           | 3                   | 3                    |
| EOMV-48-W/B-28-S | 1               | 3           | 3                   | 3                    |
| EOMV-60-W/B-28-S | 2               | 6           | 6                   | 6                    |
| EOMV-72-W/B-28-S | 2               | 6           | 6                   | 6                    |
| EOMH-36-W/B-35-T | 1               | 1           | 1                   | 1                    |
| EOMH-48-W/B-35-T | 1               | 1           | 1                   | 1                    |
| EOMH-60-W/B-35-T | 2               | 2           | 2                   | 2                    |
| EOMH-72-W/B-35-T | 2               | 2           | 2                   | 2                    |



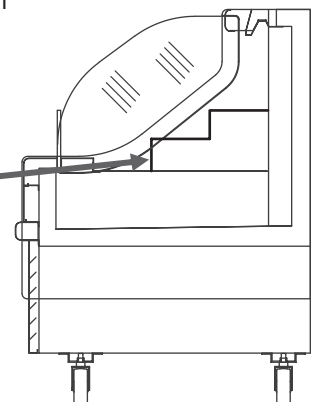
(1) Shelf Per Level



(2) Shelf Per Level

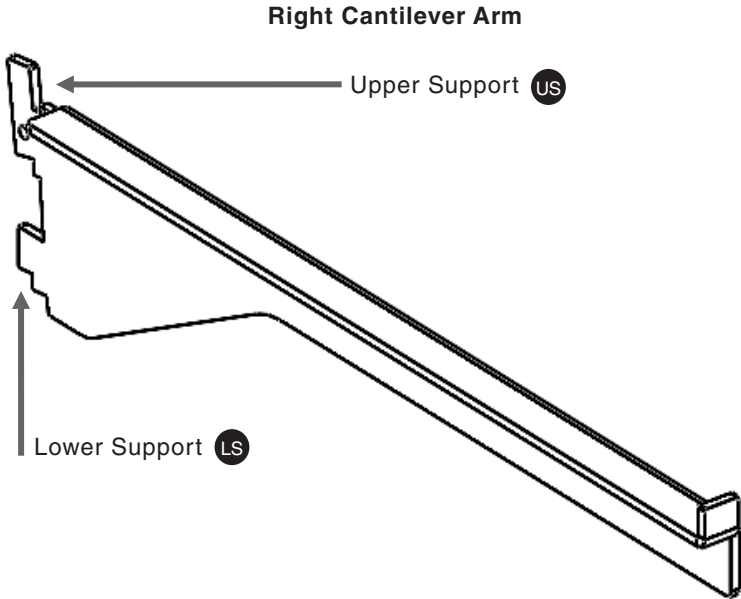
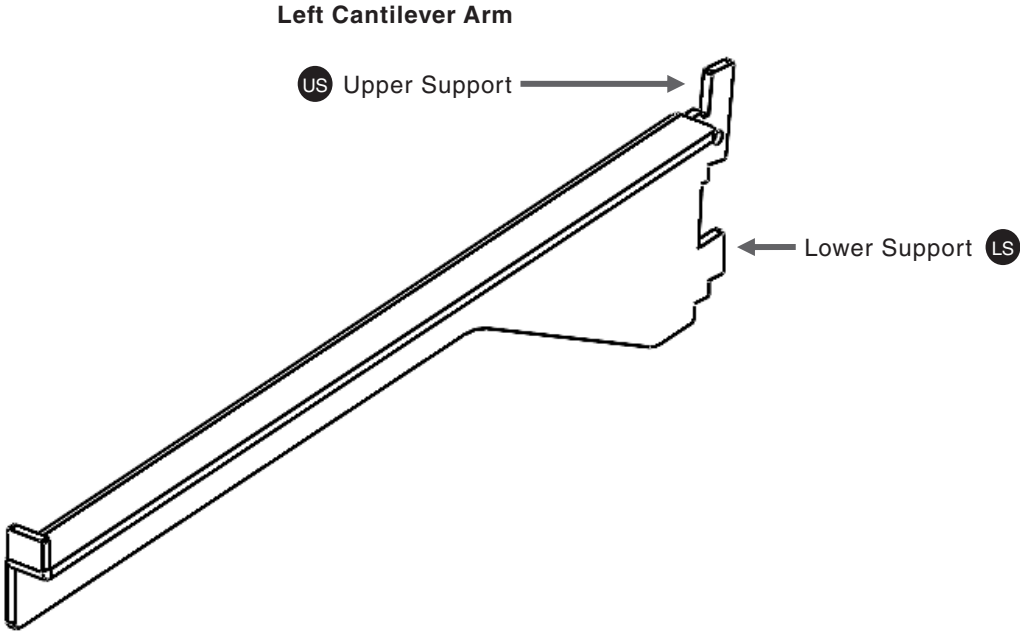
The following models come standard with a removable **shelf riser**.

- EOMH-36-W/B-35-S
- EOMH-48-W/B-35-S
- EOMH-60-W/B-35-S
- EOMH-72-W/B-35-S



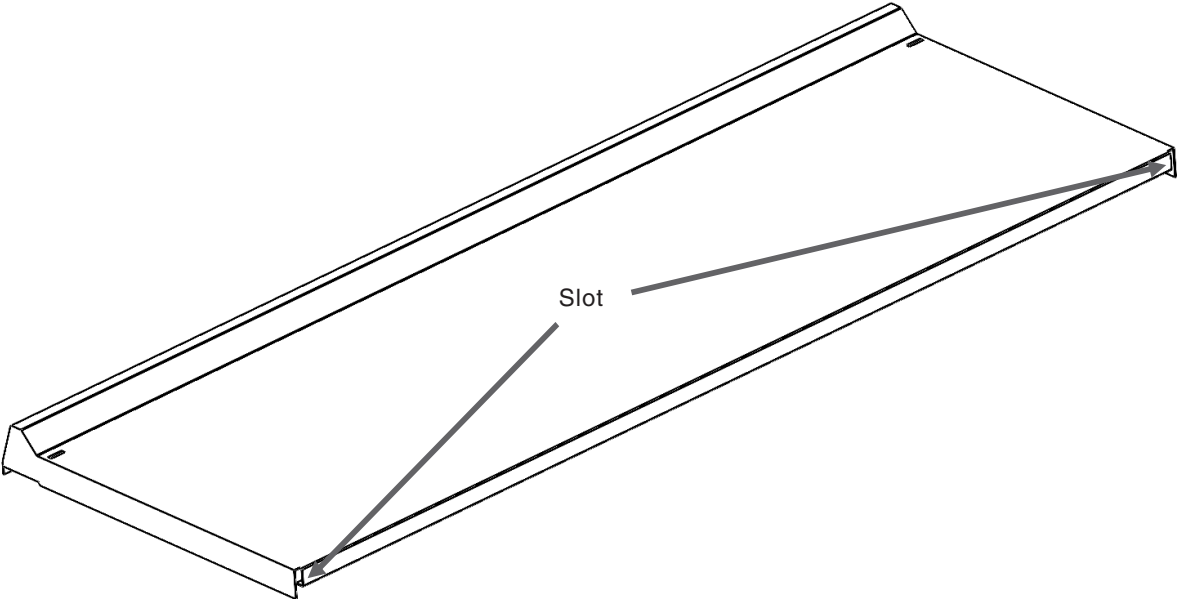
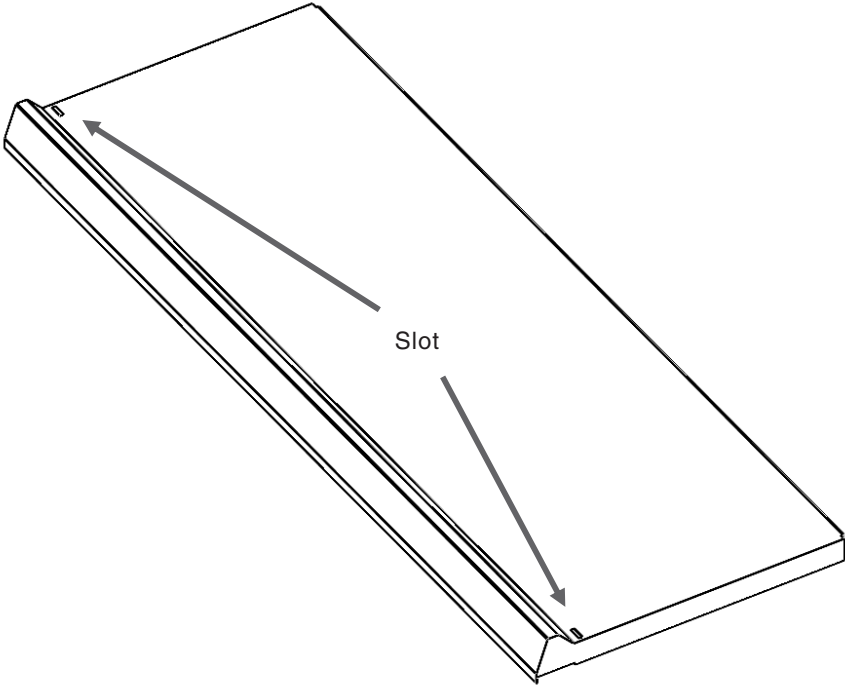
# Shelf and Cantilever Installation (Continued)

## 2. Part Description



# Shelf and Cantilever Installation (Continued)

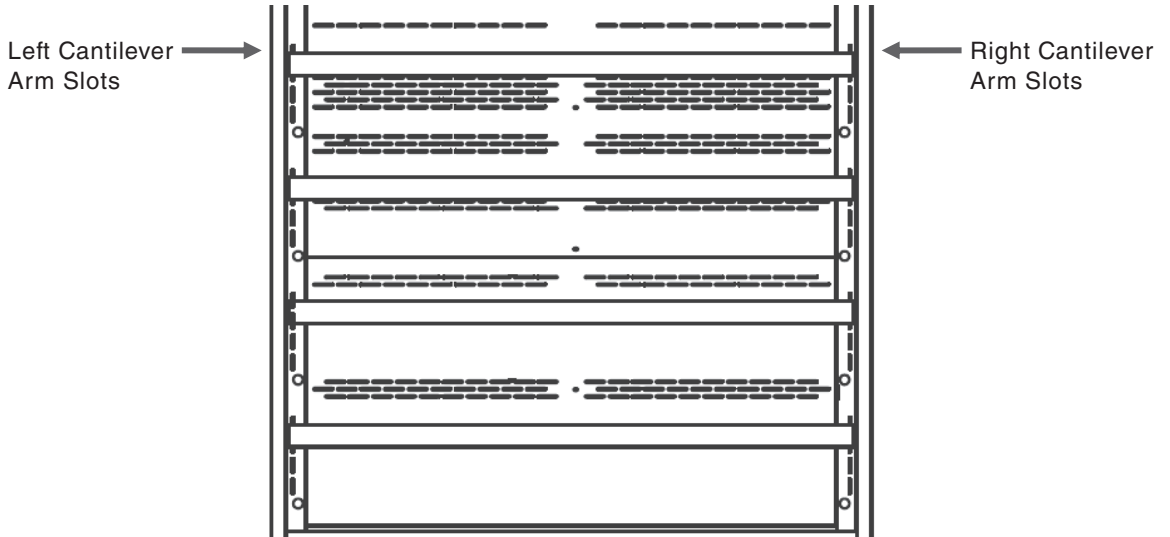
Shelf



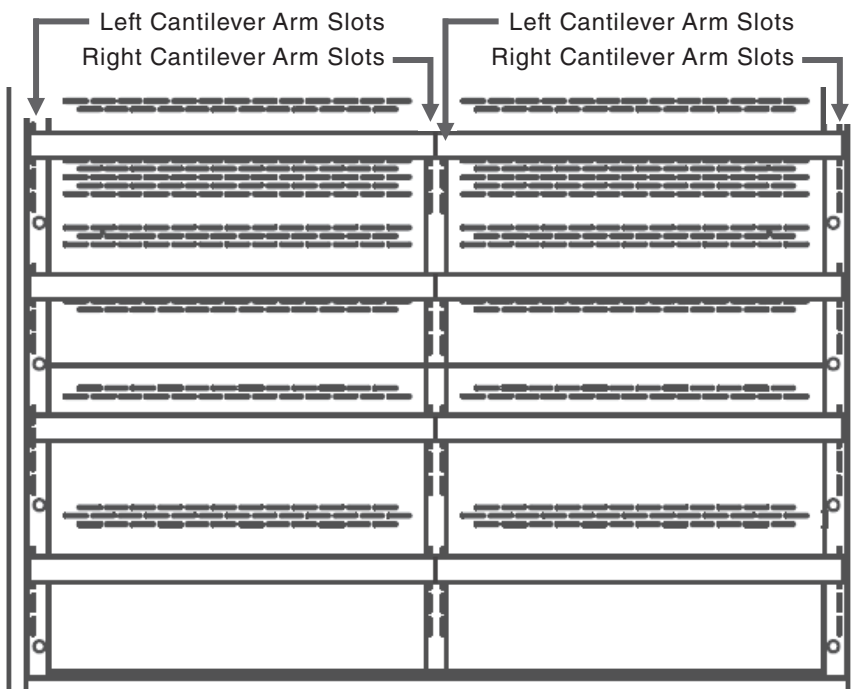
# Shelf and Cantilever Installation (Continued)

## 3. Installation Instructions

### (A) Locate the cantilever arm slots



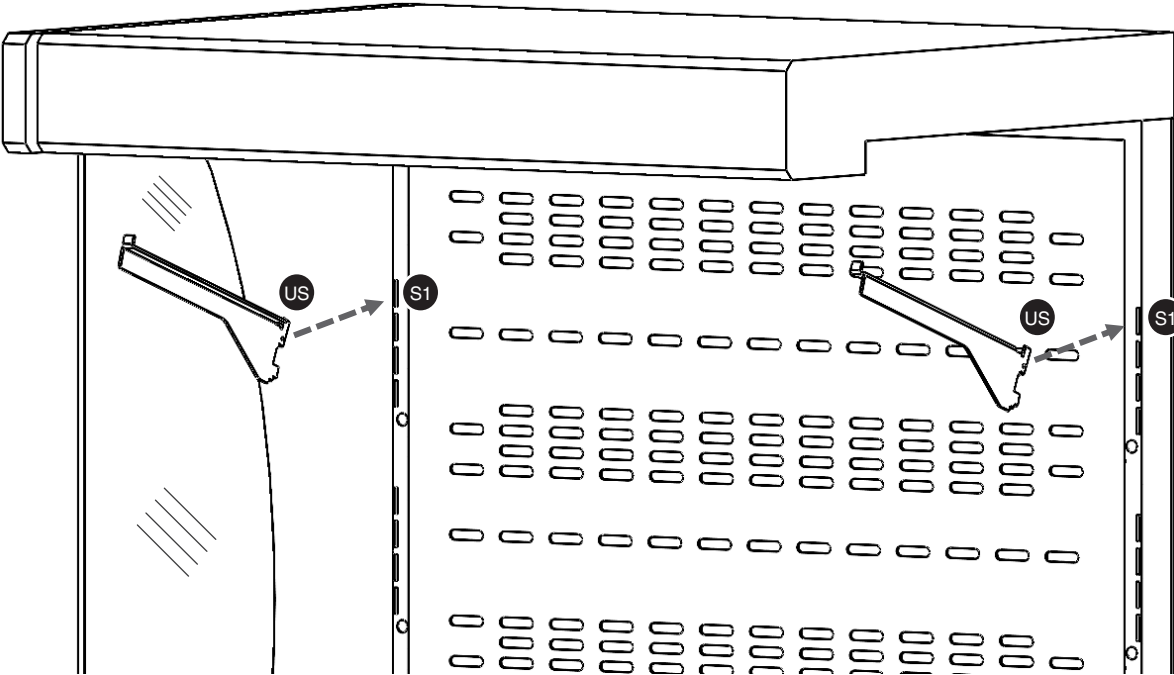
Models with (1) shelf per level.



Models with (2) shelves per level.

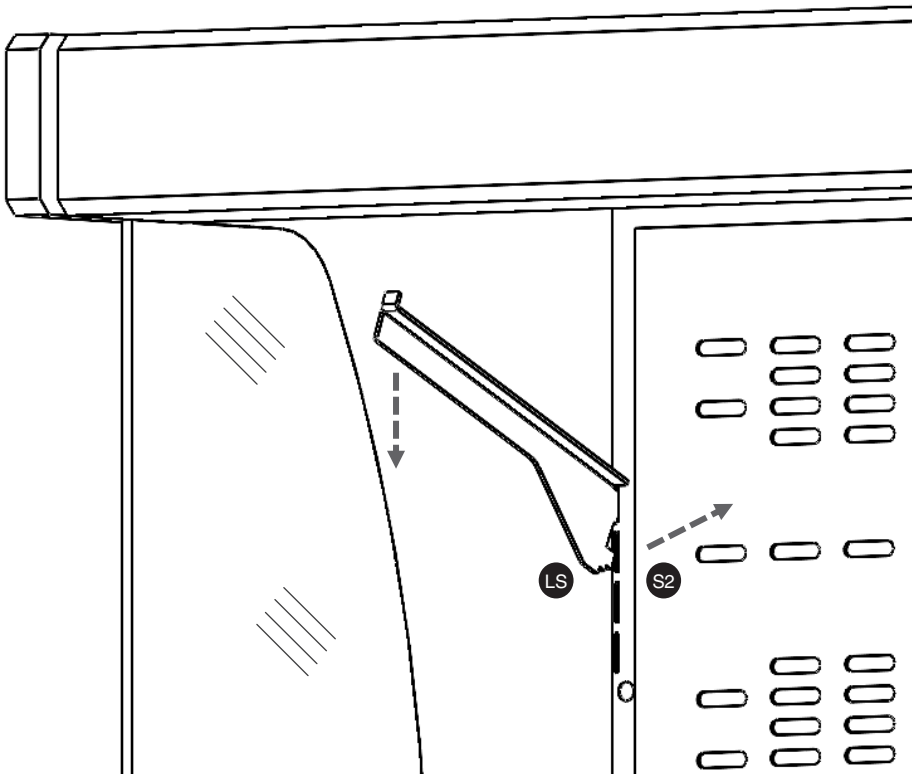
# Shelf and Cantilever Installation (Continued)

(B) Install the cantilever arms

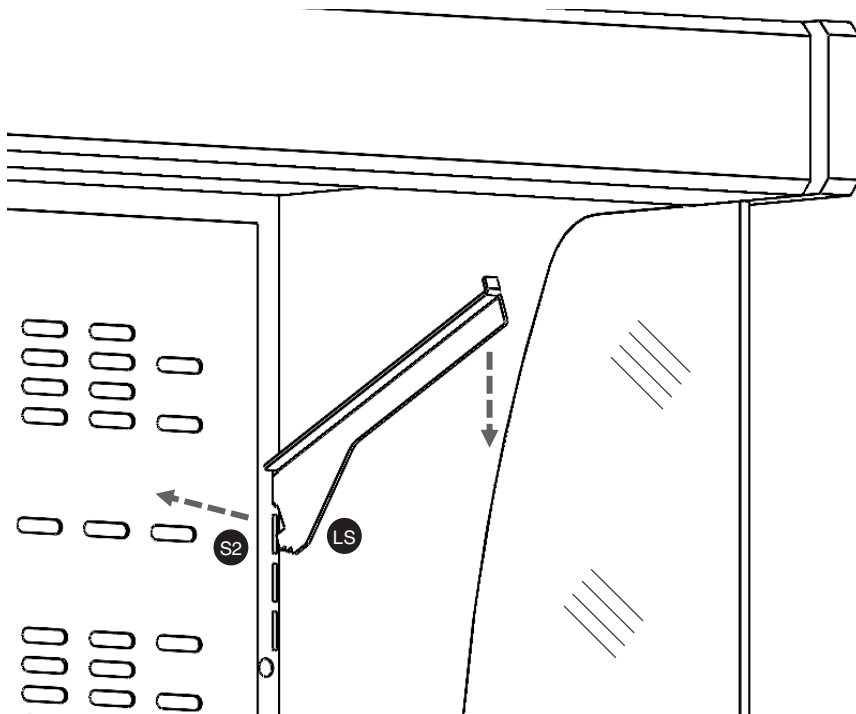


Insert the left and right **upper supports** **US** into the **top slots** **S1**.

## Shelf and Cantilever Installation (Continued)



Insert the left **lower support** **LS** into the **second slot** **S2** from the top.

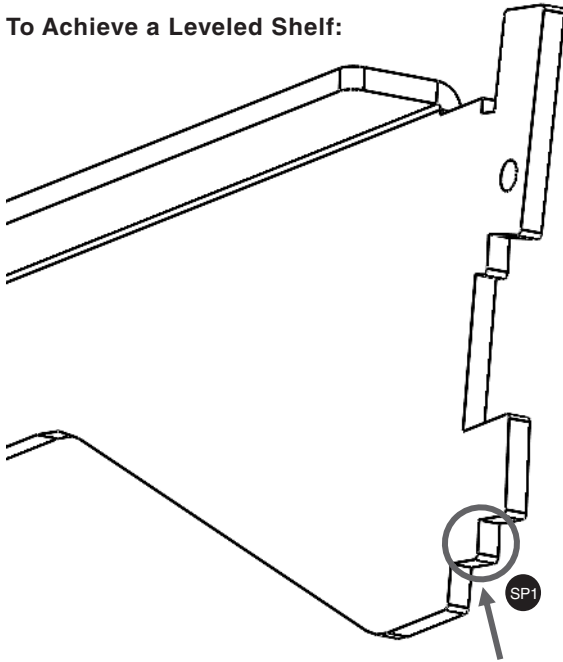


Insert the right **lower support** **LS** into the **second slot** **S2** from the top.



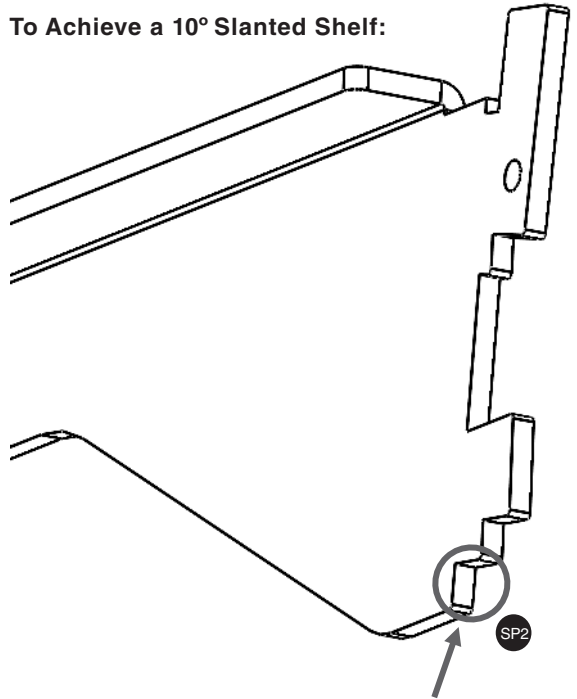
# Shelf and Cantilever Installation (Continued)

To Achieve a Leveled Shelf:

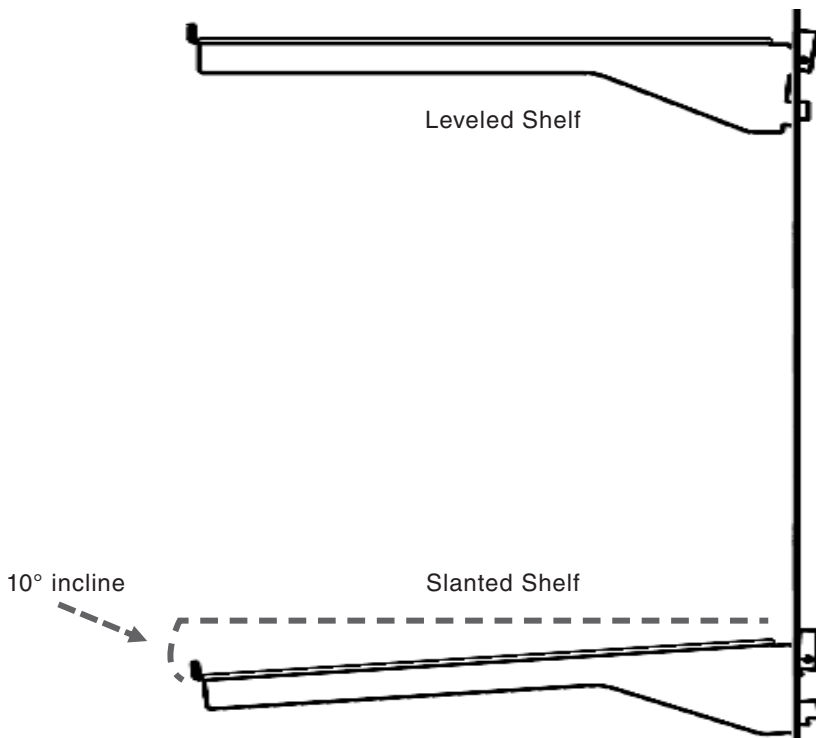


Place the lower support **shelf positioner** <sup>SP1</sup> against the rear wall for a **leveled shelf**.

To Achieve a 10° Slanted Shelf:

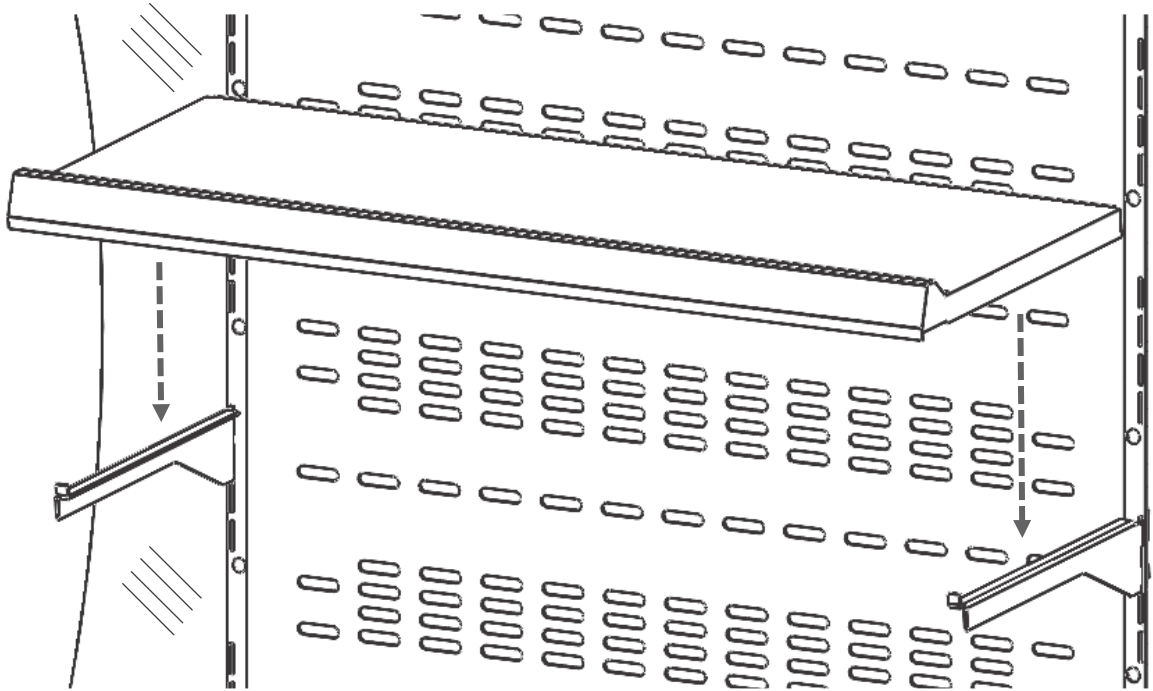


Place the lower support **shelf positioner** <sup>SP2</sup> against the rear wall for a 10° **slanted shelf**.

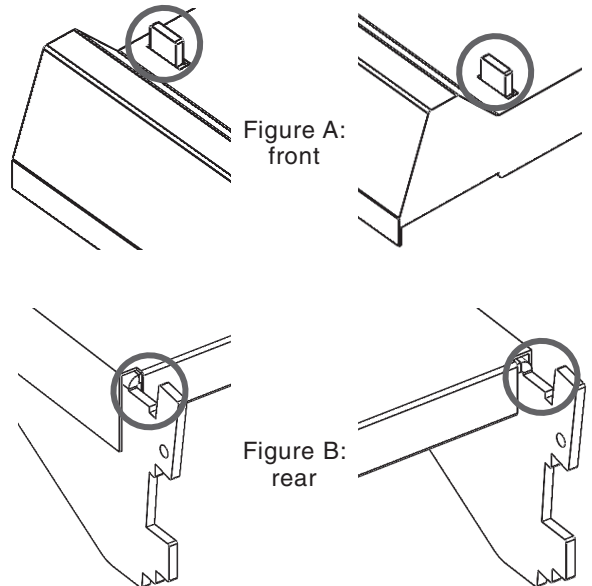
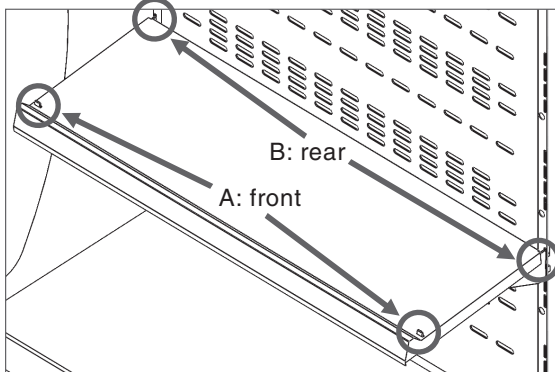


# Shelf and Cantilever Installation (Continued)

## (C) Install the Shelves



Place shelf atop the two cantilever arms.

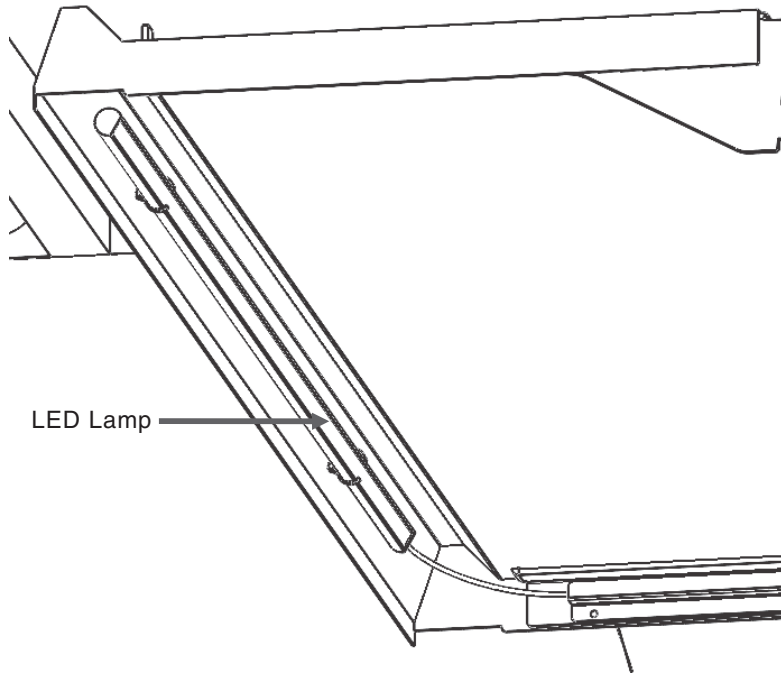


Lock shelf as displayed in Figures A and B.

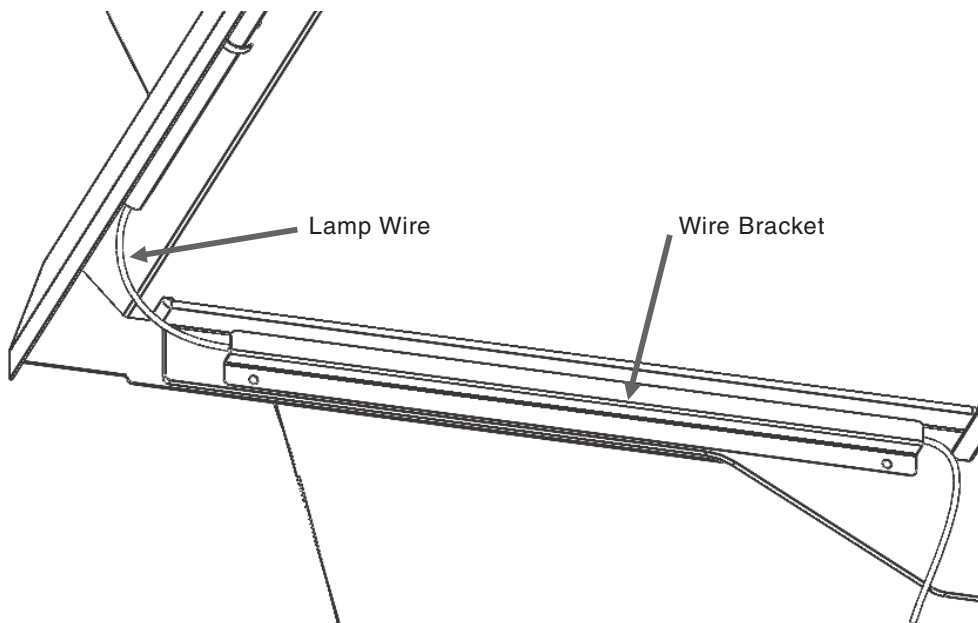
# Undershelf Light Installation

All Open Air Merchandiser models come with LED canopy lighting. Models with removable shelves also come with standard LED undershelf lighting. Follow these instructions in installing your unit's undershelf lighting before turning on the light switch. Warranty is void if guidelines are not followed.

## A. Locate LED lamp underneath shelf.

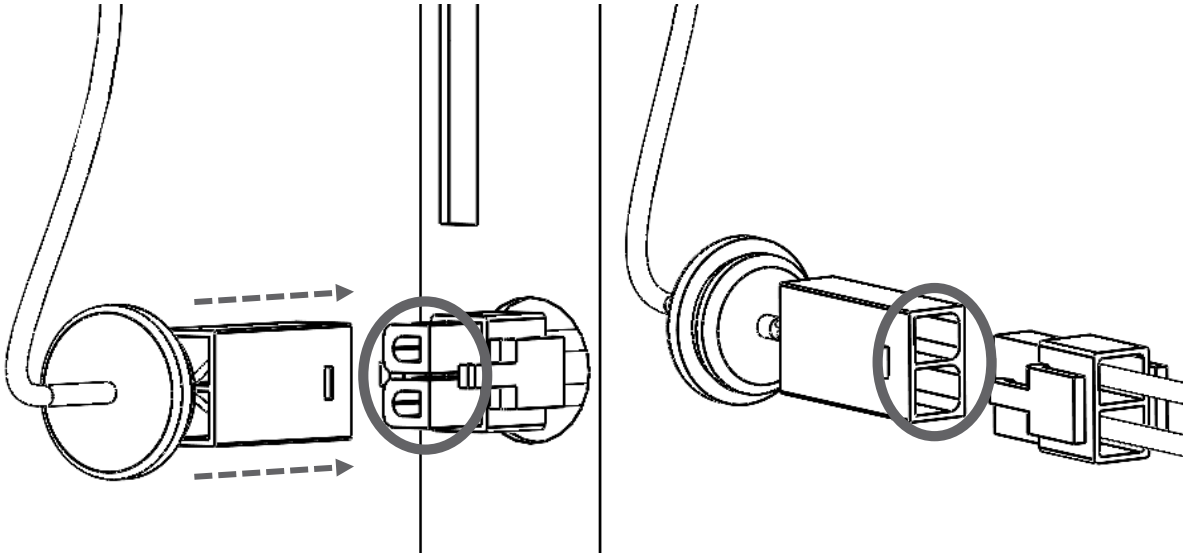


## B. Fit the lamp wire into the wire bracket under the shelf.

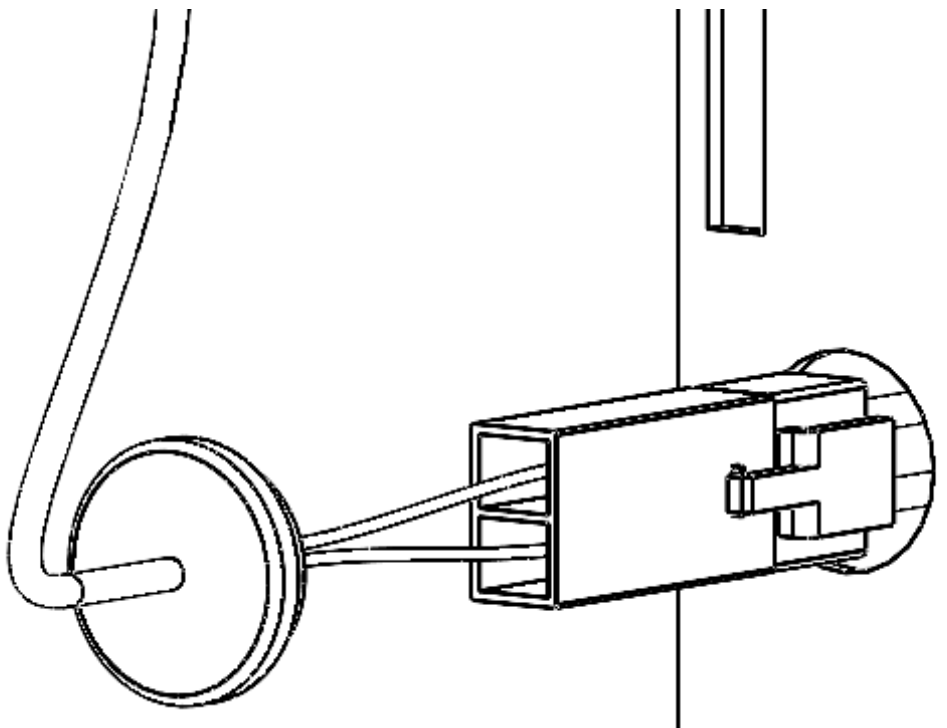


## Undershelf Light Installation (Continued)

C. The lamp wire ends in a female harness connector. Attach this to the male harness connector located in the lamp wire port in the rear wall of the unit. Harness connectors will have matching faces.

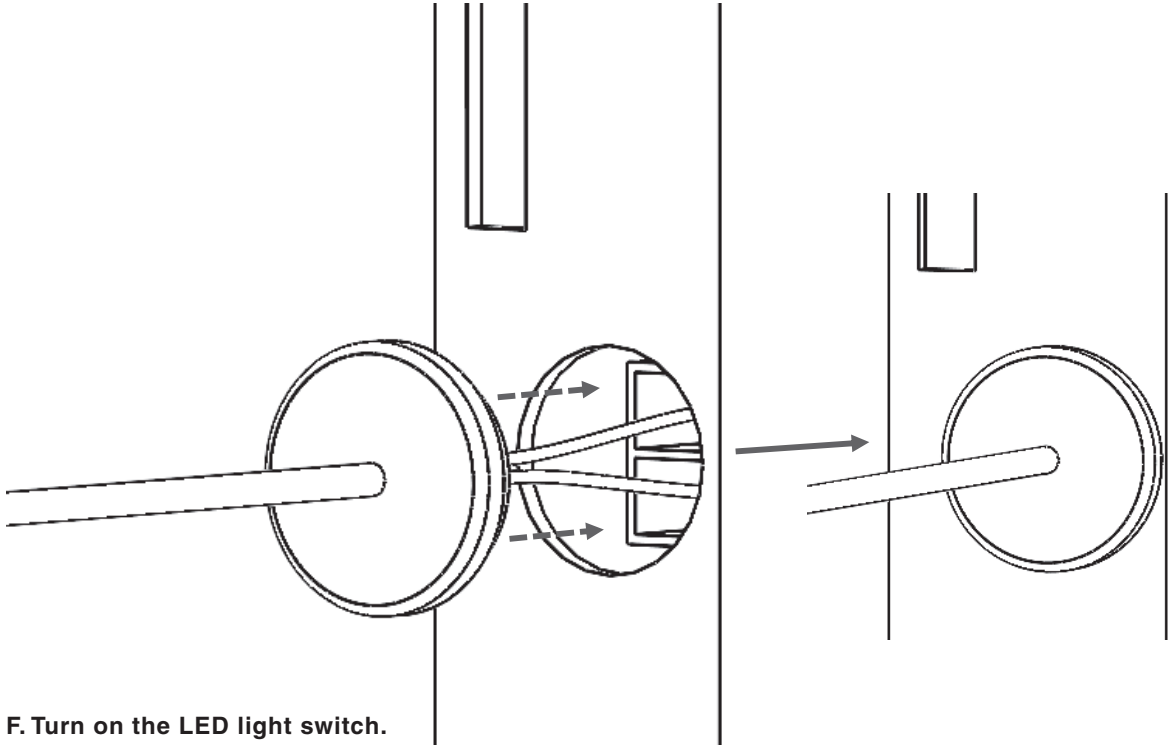


D. Push the connected wire harness through the lamp wire port.

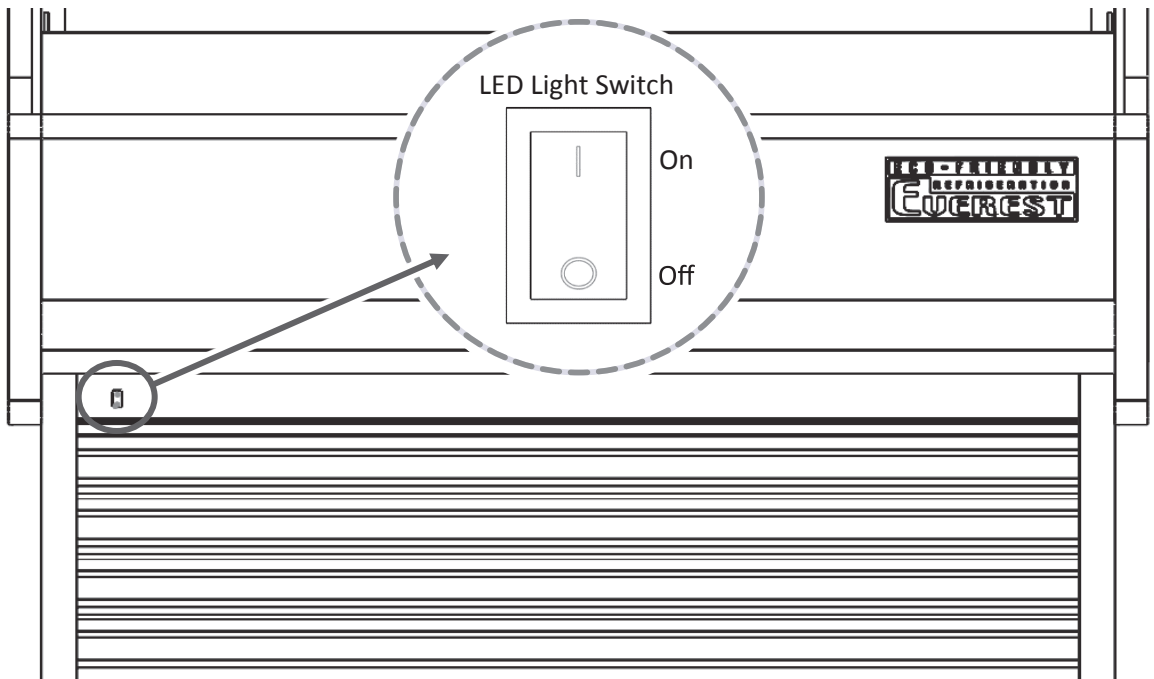


# Undershelf Light Installation (Continued)

E. Plug the wire grommet into the lamp wire port until it's securely in place.



F. Turn on the LED light switch.



# General Safety

**This section applies to all Everest Open Air Merchandiser models. Use your appliance according to its designed function as specified in this Owner's Manual. Warranty is void if the following guidelines are not met.**

- Before the unit is used, it must be installed and connected according to the installation instructions provided in this manual.
- Remove all packaging material and protective vinyl covering from the unit before it is used. These items are flammable and can lead to a fire.
- Do not store or use gasoline or other flammable vapors and liquids in the vicinity of the unit. Do not store combustible or explosive items and substances such as aerosol cans in or around the vicinity of the unit.
- Do not place objects on or around the exhaust vents of the unit. This can cause overheating which may lead to a fire or explosion.
- Do not climb, stand or hang on the shelves, or glass windows. This can damage the unit and lead to serious injury.
- Do not apply force or pressure on the glass panels to avoid breakage. If the glass panels have been compromised in any way, discontinue use of the unit until they have been repaired.
- If you suspect a refrigerant leak or a compromised refrigeration system, disconnect the unit and contact Everest Refrigeration immediately.
- When disposing the unit, remove all doors and shelves to avoid any risk of injury or entrapment. Ensure that the refrigerant in the condensing unit is properly disposed of by a qualified refrigeration technician according to governmental codes, requirements and regulations.



# Electrical Safety

**This section applies to all Everest Open Air Merchandiser models. Basic safety precautions must be observed when using electrical appliances in addition to the following. Warranty is void if these guidelines are not met.**

Everest Units in this family are equipped with NEMA 5-20P and 6-20P. A 20 amp breaker must be used for the units that come with NEMA 5-20P and 6-20P.

Most Open Air Merchandiser models come in 115 volts, 60 hertz and single phase.



115/60/1  
NEMA 5-20R

Models EOMV-60-W(B)-35-T, EOMV-72-W(B)-35-T, EOMV-60-W(B)-28-T and EOMV-72-W(B)-28-T come in 230 volts, 60 hertz and single phase.



230/60/1  
NEMA 6-20R

The ground prong must not be removed to reduce the risk of electric shock and related hazards. If the grounding pin is missing, the cord must be removed from use. If the outlet is a standard 2-prong outlet, it must be replaced with the properly grounded 3-prong wall outlet. Only a qualified electrician may install the correct power source.

To guarantee electrical safety, the wall outlet and circuit must be checked by a qualified electrician to make sure it is properly grounded.

Remove debris from the power plug prongs with a soft cloth or brush before connecting it to an outlet.

Assign the unit to a dedicated, undamaged electrical circuit with a voltage rating that matches the data plate. Check the incoming voltage with a multi-meter. This avoids the overloading and overheating of circuit wires which may lead to a fire.

Do not use extension cords, adapter plugs or other third party electrical connections. Everest is not responsible for issues resulting from improper electrical connections, electrical power failures and voltage fluctuations.

Everest does not recommend the use of generators in conjunction with the unit due to voltage fluctuations that may compromise electrical components.

It is safe to turn off the unit by unplugging the power cord. Be sure to grip the plug, not the cord, when detaching from the outlet. Wait a least 5 minutes before re-plugging to prevent damage to the compressor.

Prevent damage to the power cord by providing sufficient clearance around and under the unit. Do not use a power cord that shows cracks or exposed wires. Power cords that have been severely worn or damaged must be replaced with original manufacturer parts and only by an authorized technician.

# Operation

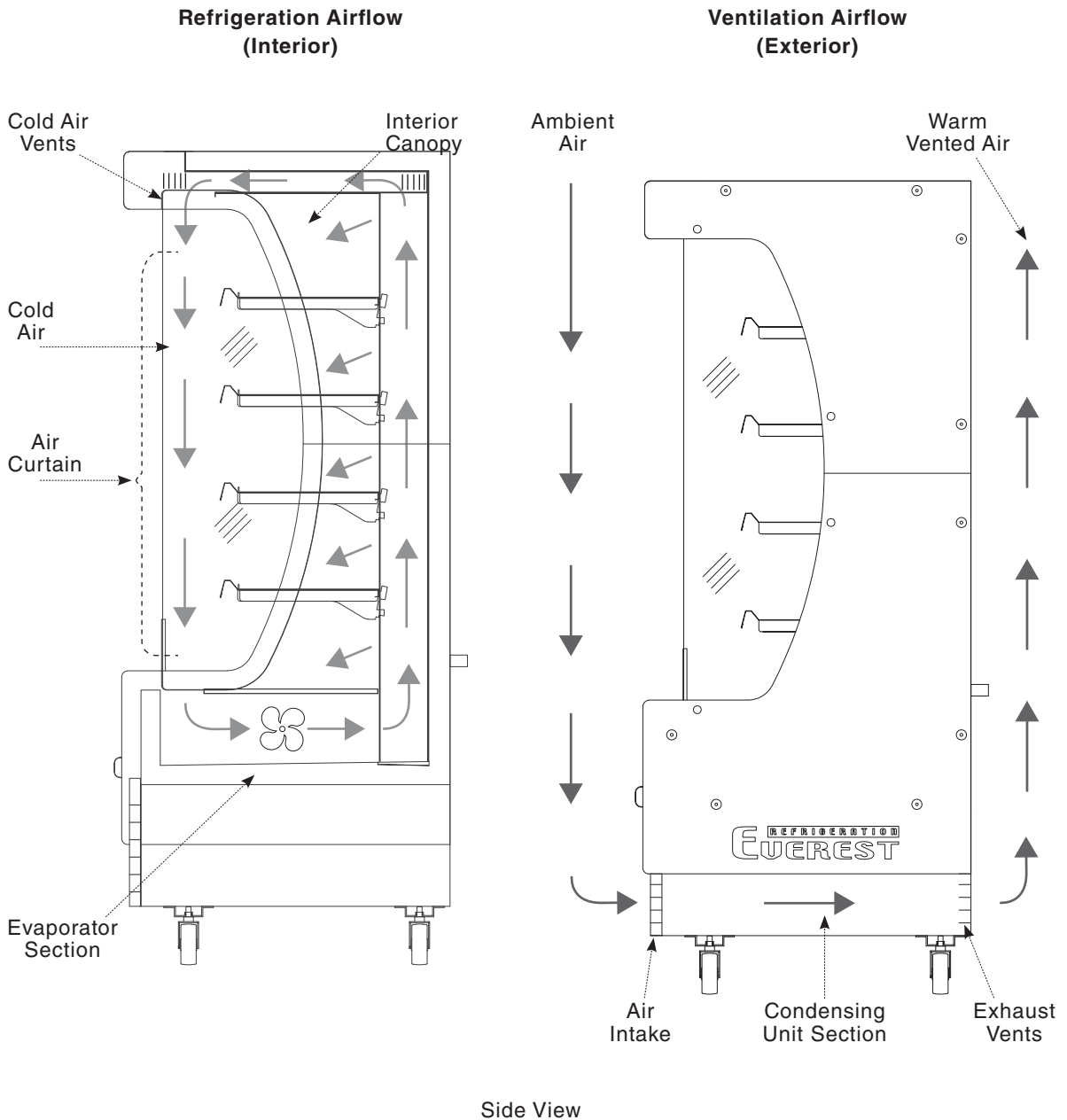
**This section applies to all Everest Open Air Merchandiser models. Use according to the described and intended functions. Warranty is void if these guidelines are not met.**

- Follow all installation requirements as described in the previous chapters before plugging the unit into the properly designated outlet.
- All food items must be sealed inside containers before storing in the cabinet.
- It is recommended that already refrigerated food items be placed in the cabinet. If room-temperature products are placed, it will take longer for them to cool down to the desired temperature, causing excess condensation inside the cabinet.
- In all open merchandiser models, the factory preset temperature of 35°F maintains a combined average product temperature of 40°F or less. Temperature parameters must not be manually adjusted unless performed by authorized service technicians.
- Use the integrated retractable night curtain during inactive hours to save energy.
- Turn off the interior LED lighting during inactive hours to save energy.
- Do not load products with combined weight of 80lbs or more per shelf.
- Do not load products beyond the edge of the shelf.
- Do not block the direct path of the air circulation. Refer to the guidelines on the Air Curtain & Air Flow section.



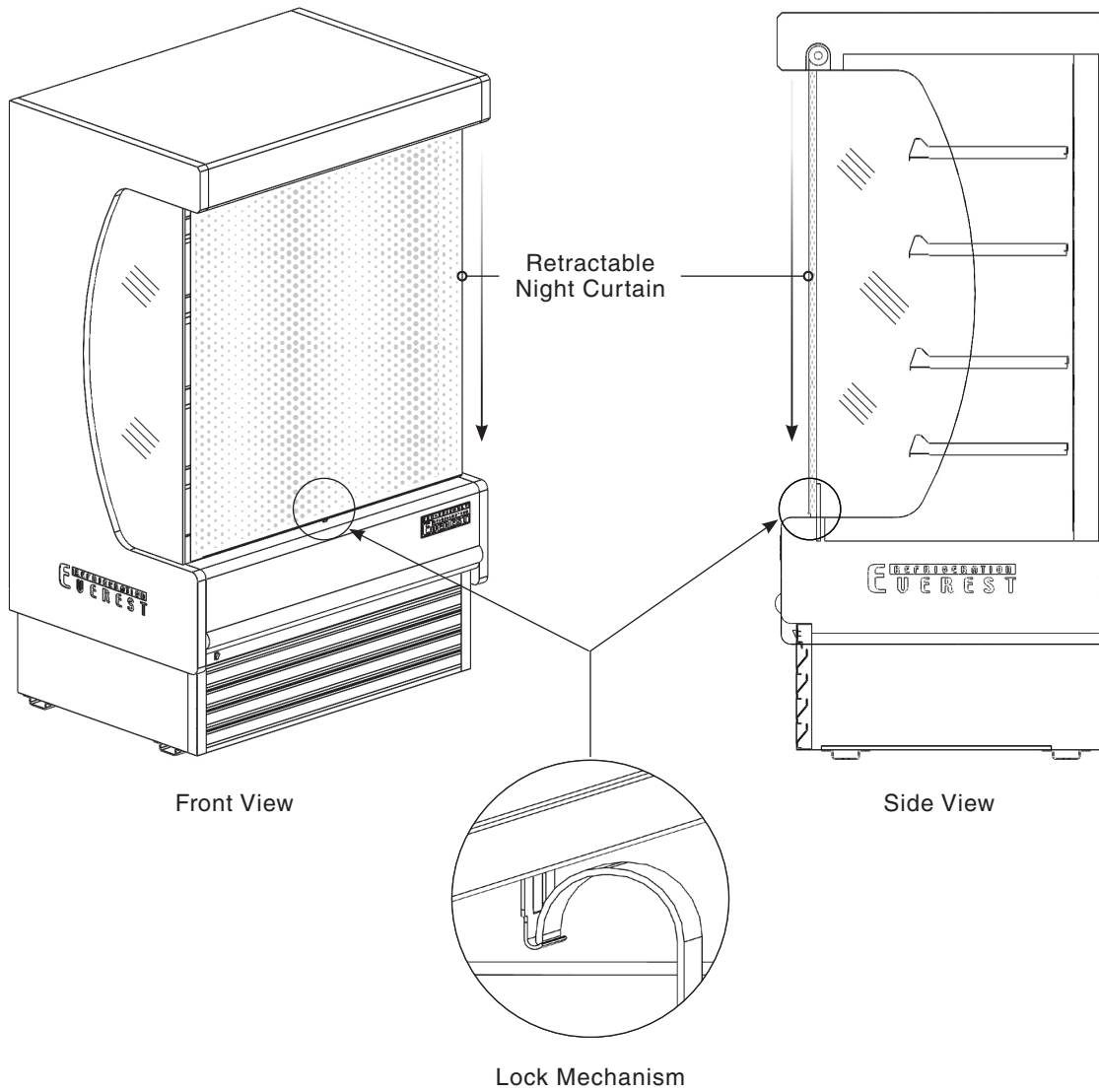
# Air Curtain & Air Flow

During normal operation, cold air continuously streams down from vents located on the top, front section of the unit's interior canopy. This constant stream of cold air is also known as the air curtain which blocks warmer ambient air from entering the cabinet. Ensure that no object cuts into the direct path of the air curtain. Obstructing the air curtain will significantly decrease the unit's cooling performance and lead to advanced component failure.



# Night Curtain

All Open Air Merchandiser Models come standard with an integrated, clear acetate night curtain that can be pulled down for extra security and improved energy efficiency when the unit is not in active use.



# Care and Maintenance

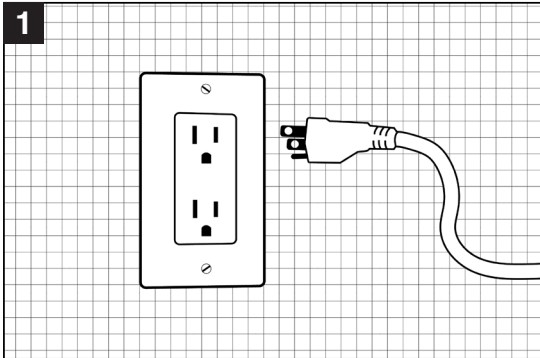
**This section applies to all Everest Open Air Merchandiser models. Regular care and maintenance of your appliance will significantly extend service life and dependability. In severe cases, lack of upkeep will contribute to the rapid decline in performance and component health. Care and maintenance is the product owner's personal responsibility. Warranty is void if these guidelines are not met.**

- Unplug the unit before cleaning, repairing or replacing parts.
- Do not spray the unit with water to avoid electric shock, component malfunction or the risk of fire.
- Do not use any flammable cleaning products on or around the unit to prevent the risk of fire.
- Do not use household or industrial chemical cleaners, acidic or chlorine based solutions, degreasers, wire brushes, scrapers, steel pads, acidic solutions or other abrasive products.
- The condenser coil builds up lint, dust and grease over time and will require cleaning. Clogged condenser coils will result in decreased performance, advanced component failure and the risk of fire. See page 26 for condenser coil cleaning instructions.
- Clean the interior surface of the unit with mild soap and warm water. Do not let water accumulate inside the unit. To prevent water damage, wipe the interior of the unit with a dry cloth as needed. Do not use steel wool, strong acids, concentrated detergents, bleaches, cleaning waxes, polishers and other abrasive cleaners. Do not allow moisture to come in contact with electronic parts to avoid component failure or the risk of fire.
- Clean the exterior of the product with mild soap and warm water. Do not allow moisture to come in contact with electronic parts to avoid component failure or the risk of fire.
- Acidic products and products containing vinegar must be stored in sealed containers to prevent acid damage to the stainless steel interior of the unit as well as the evaporator coil. Rust resulting from improper maintenance is not covered under warranty.
- Regularly check the ambient temperature and relative humidity of the environment. An ambient temperature exceeding 80°F and a relative humidity exceeding 55% will significantly decrease the units cooling performance and lead to advanced component failure.

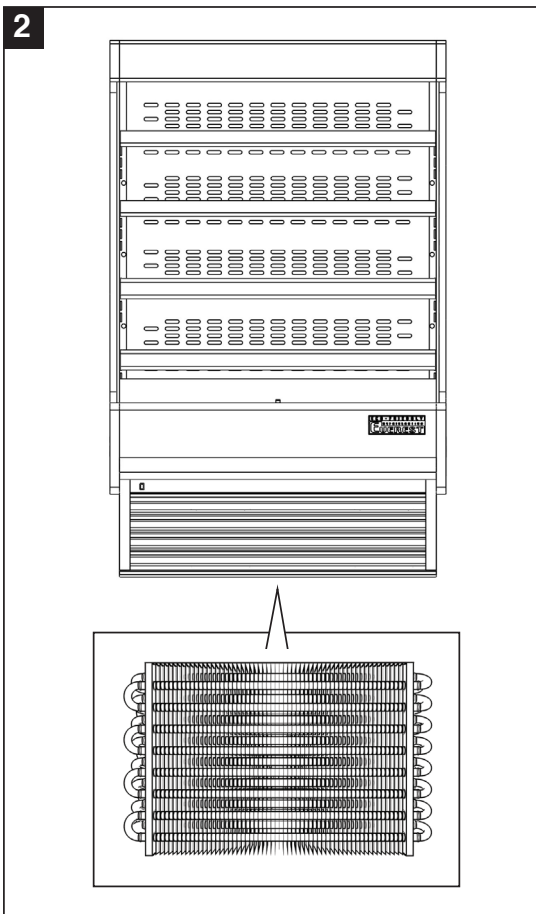


# Condenser Coil Cleaning Instructions

The condenser coil requires monthly cleaning to keep its metal fins free of lint, dust and grease build-up. A clogged condenser coil severely reduces your product's energy efficiency and places strain on the compressor and other components leading to advanced failure. Cleaning the condenser coil is the product owner's personal responsibility. **Warranty is void if the following guidelines are not met.**

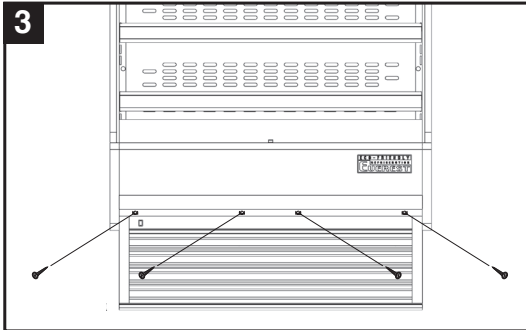


1. Disconnect the unit from the outlet before performing maintenance.

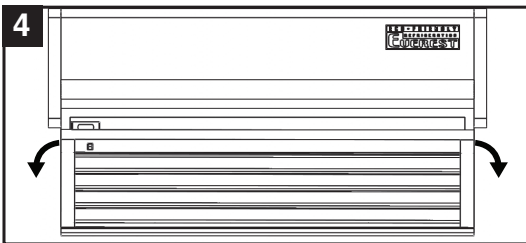


2. Locate the condenser coil behind the vented grill at the bottom of the unit.

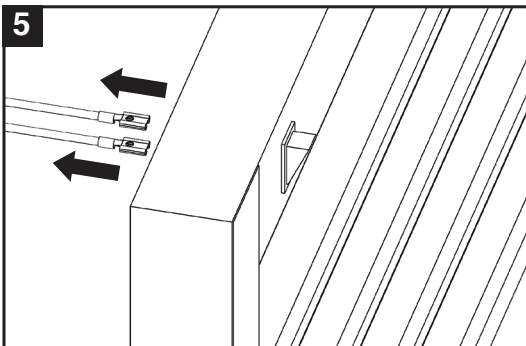
# Condenser Coil Cleaning Instructions (Continued)



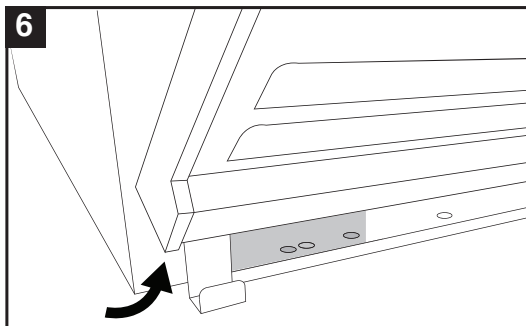
3. Remove the screws from the bottom of the shopping cart bumper. The number of screws will vary depending on the model.



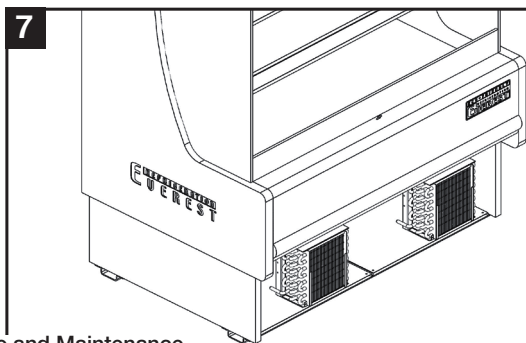
4. Pull on the top edge of the vented grill.



5. Disconnect the wire terminals from the LED light switch. The terminals are located behind the LED light switch (underneath the vented grill).

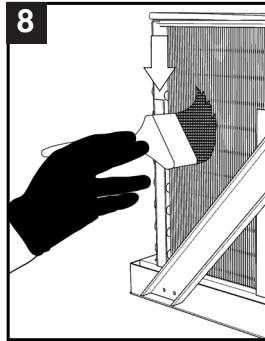


6. Lift the vented grill vertically until the two keyholes on its bottom edge clears the stationary bolts that keep them in place.



7. The condenser coil fins are now accessible for cleaning. The number of condenser coil varies depending on the model.

# Condenser Coil Cleaning Instructions (Continued)



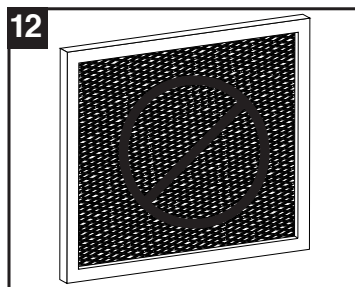
8. Use a long bristled brush in a vertical sweeping motion to remove lint, dust and debris from in between the metal fins of the condenser coil. Do not apply heavy pressure so as not to bend the fins.



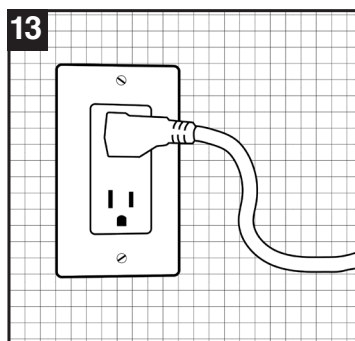
9. Use a commercial condenser coil cleaner for metal fins that are coated in grease. Allow the cleaner to saturate the area. Follow the recommended wait time printed on the product packaging.
10. The grease and cleaning solvent will pool at the base of the metal fins. Brush the fins and wipe off any accumulated residue.



11. Repeat the above steps until the metal fins are clean. You should be able to see in through and in between the metal fins after completing this process.



12. Do not attach an aftermarket filter or screen around the condenser coil. This obstructs ventilation which leads to overheating, component failure or the risk of fire.



13. Reconnect the unit to the designated outlet.

# Troubleshooting Guide

In most cases, your Everest product may be exhibiting behavior that is typical of standard operation. Observe the following when troubleshooting symptoms.

## **The compressor, fan motors or entire system fails to start**

The unit may not be connected to the designated outlet. Check the outlet configuration of the unit following the guidelines under *Electrical Safety*. The power cord may not be connected. Check for power connection. In cases of damage to the power cord or plug, immediately mark the unit as out of order until the damaged part is replaced.

The outlet may not be sending power or the power supply breaker may be switched off. Unplug the unit and contact a licensed electrician for inspection and/or repairs.

## **The compressor operates continuously or for prolonged periods.**

The condenser coil may be clogged with dust, grime or debris. Clean them following the guidelines under *Care and Maintenance*.

The unit may have been installed near ventilation systems, fans, exterior doors or windows that could disrupt the air curtain and compromise the function of the cabinet. This forces the compressor to constantly run in order to maintain the cabinet temperature.

The room's ambient temperature may be higher than 80°F (26.7°C). Provide additional cooling to the room. Relocate the unit from extremely small spaces without ventilation.

The unit may have been installed in close proximity to heat sources such as ovens, stoves, heaters or direct sunlight. Relocate the unit away from these heat sources.

The unit may have been installed without clearance or proper ventilation. This forces the compressor to operate constantly in order to maintain cabinet temperature. Provide additional exhaust vents and observe the clearance guidelines under *Installation Instructions* and *Required Unit Conditions*.

## **The cabinet temperature is too warm.**

The condenser coil may be clogged with dust, grime or debris. Clean this following the instructions under *Care and Maintenance*.

The unit may have been installed near ventilation systems, fans, exterior doors or windows that could disrupt the air curtain resulting in an increase of cabinet temperature.

Hot food items may have been placed in the cabinet. Store only room temperature food items.

The room's ambient temperature may be higher than 80°F (26.7°C). Provide additional cooling to the room. Relocate the unit from extremely small spaces without ventilation.

The unit may have been installed in close proximity to heat sources such as ovens, stoves, heaters or direct sunlight. Relocate the unit away from these heat sources.

The unit may be installed without clearance or proper ventilation. Provide additional exhaust vents and observe the clearance guidelines under *Installation Instructions* and *Required Unit Conditions*.

# Troubleshooting Guide (Continued)

## **Condensation in the interior cabinet.**

Hot food items may have been stored in the cabinet. The interaction between hot and cold temperatures will create condensation.

Unsealed or open food items with high moisture content may have been stored in the cabinet. Keep these items in air tight containers.

Mild condensation in warmer ambient temperature conditions may occur because of the absence of a door. Make sure to keep the room's ambient temperature below 80°F and relative humidity below 55% to avoid severe condensation in the cabinet interior.

## **Condensation on the unit's exterior surfaces.**

Highly humid environments will contribute to condensation build up on exterior panels. Providing ample ventilation and air movement to a space will reduce the humidity level. Ensure that air movement is not pointed directly at the unit as this may disrupt the air curtain.

Always keep the ambient temperature below 80°F and relative humidity below 55% to avoid severe condensation on the unit's exterior.

## **Noise level during unit operation.**

It is normal for commercial-grade compressors and components to have a higher decibel output compared to the residential counterparts.

The unit may not be balanced evenly. Poorly leveled units may cause components or fittings to misalign or disengage during operation. This may produce noise as a direct result of repeated surface friction or impact.

The unit may not be securely mounted to the floor. This may produce noise as a direct result of repeated surface friction or impact.

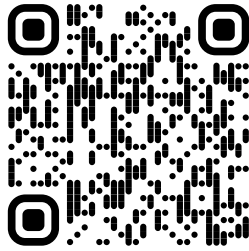
Some sounds are normal for the refrigeration process. A dripping sound, for example, is the result of refrigerant circulation during the compressor rest period.



# Warranty Registration

Registering your new appliance is important. In the unlikely event a safety notification or warranty service is required, we will have the means to contact you. Your completed appliance registration also verifies your ownership in the event of an insurance loss or theft.


You may register online at [www.EVERESTref.com](http://www.EVERESTref.com) or use your smart phone to scan the QR code below:



1. Open the camera app.
2. Point the camera at the QR code.
3. Scan and launch the QR code.

## Product Identification:

The product data plate is a permanently affixed label that contains the model, serial, barcode numbers, and refrigeration data of your Everest product. The tag is located on the rear or side of the unit exterior. Please retain this information for warranty-related purposes.



# EVEREST REFRIGERATION

Commercial Refrigerators

MODEL : EOMV-36-B-28-S Assembled in Korea

COMPRESSOR : 1/2 HP

REFRIGERANT : R290

\* Use of other than specified refrigerant voids warranty

REFRIGERANT CHARGE : 3.17 Oz

ELECTRICAL : 115VX1Phx60Hz


TOTAL AMPS : 3.27A (COMP RUN)

HIGH PRESSURE TEST : 218PSIG.


LOW PRESSURE TEST : 38PSIG.


\* Do not clean label with solvent

Serial No:  
EOMV-36-B-28-S-XXX



ETL LISTED  
CONFORMS TO  
ANSI/UL-471 CERTIFIED TO  
CAN/CSA C22.2 NO. 120





BB1KD0539A

# Warranty Certificate

EVEREST warrants to the first purchaser of every new EVEREST equipment, the cabinet and all parts thereof, to be free from defects in material or workmanship, under normal and proper use and maintenance service as specified by EVEREST and upon proper installation and start-up in accordance with the instruction packet supplied with each equipment.

## **(3) Years Labor & Parts Warranty<sup>1</sup> and (5) Years Compressor Warranty<sup>3</sup>**

Applicable to R-134A, R-404A and R290 Upright Reach-Ins, Glass Door Merchandisers, Undercounters, Chefbases, Prep. Tables, Bar Equipment and Countertop Refrigerated Display Cases shipped from Everest before January 1, 2023.

## **(2) Years Labor & Parts Warranty<sup>1</sup> and (5) Years Compressor Warranty<sup>3</sup>**

Applicable to R290 Open Air Merchandisers shipped from Everest before January 1, 2023.

## **(3) Years Labor & Parts Warranty<sup>1</sup>, (5) Years Electrical Components Warranty<sup>2</sup> and (10) Years Compressor Warranty<sup>3</sup>**

Applicable to R290 Upright Reach-Ins, Glass Door Merchandiser Refrigerators, Undercounters, Chefbases, Prep. Tables, Bar Equipment and Countertop Refrigerated Display Cases shipped from Everest from January 1, 2023.

## **(3) Years Labor & Parts Warranty<sup>1</sup>, (5) Years Electrical Components Warranty<sup>2</sup> and (5) Years Compressor Warranty<sup>3</sup>**

Applicable to R290 Glass Door Merchandiser Freezers shipped from Everest from January 1, 2023.

## **(2) Years Labor & Parts Warranty<sup>1</sup>, (5) Years Electrical Components Warranty<sup>2</sup> and (5) Years Compressor Warranty<sup>3</sup>**

Applicable to R290 Open Air Merchandisers and Laboratory Refrigerators/Freezers shipped from Everest from January 1, 2023.

### **<sup>1</sup>Labor & Parts Warranty**

EVEREST's obligation under the Labor & Parts Warranty is limited to a period of (2) or (3) years from the date of shipment from EVEREST. Any part covered under this warranty that is determined by EVEREST to have been defective within (2) or (3) years from the date of shipment from EVEREST, is limited to the repair or replacement, including labor charges, of defective parts or assemblies. Labor warranty shall include standard straight time labor charges and reasonable travel time, as determined by EVEREST.

### **<sup>2</sup>Electrical Components Warranty**

EVEREST's obligation under the Electrical Components Warranty is limited to a period of (5) years from the date of shipment from EVEREST. Any electrical component covered under this warranty that is determined by EVEREST to have been defective within (5) years from the date of shipment from EVEREST, is limited to the replacement of the electrical component. Electrical components covered under this warranty are limited to control boards, sensors, defrost heaters, evaporator/condenser fan motors, LED lights & power supplies, and door switches. This warranty does not cover the cost of shipping, labor or other parts.

### **<sup>3</sup>Compressor Warranty**

EVEREST's obligation under the Compressor Warranty is limited to a period of (5) or (10) years from the date of shipment from EVEREST. Any compressor or compressor components covered under this warranty that is determined by EVEREST to have been defective within (5) or (10) years from the date of shipment from EVEREST, is limited to the replacement of the compressor or compressor components. This warranty does not cover the cost of shipping, labor or other parts.

### **Warranty Claims**

All warranty claims must be made directly through EVEREST. All claims shall include the equipment model and serial number, proof of purchase, installation date, and all other relevant information. To qualify for an electrical component or compressor warranty claim, the replacement item must have been purchased directly from EVEREST.

### **Warranty Exclusions**

EVEREST's sole obligation under this warranty is limited to the repair or replacement of parts, subject to the additional limitations below. This warranty neither assumes nor authorizes any person to assume obligations other than those expressly covered by this warranty.

**Non-Warranty Parts:** EVEREST excludes specific parts exposed to normal wear and tear. These parts include, but are not limited to, lamps, gaskets, casters, shelving, pans and airflow guards.

**Indirect or Consequential Damage:** EVEREST does not warrant economic loss, profit loss, or special, indirect or consequential damages including, without limitation, losses or damages arising from food or product spoilage claims caused by refrigeration failure.

**Improper Usage:** EVEREST does not warrant component failure and/or other damages resulting from improper usage and/or installation or failure to clean and/or maintain the equipment as set forth in the equipment's user manual. All EVEREST equipment are designed for use in a commercial setting. Warranty is invalid if the equipment is installed in a residence.

**Relocation of Equipment for Repairs:** EVEREST does not warrant the cost to move an equipment to or from its installed location, disassemble cabinetry or panels built around the equipment for the purpose of performing warranty repair.

**Warranty is Non-Transferrable:** Warranty is limited to the original purchaser or owner of the equipment. Warranty does not transfer with change of ownership.

**Alteration, Neglect, Misuse, Abuse, Accident, Damage During Transit or Installation, Fire, Flood, Acts of God:** EVEREST is not responsible for malfunctions due to alteration, neglect, misuse, abuse, accident, damage during transit or installation, fire, flood, storm, and/or other acts of God.

**Unauthorized Modification:** EVEREST is not responsible for the repair or replacement of failed or damaged components resulting from unauthorized modifications to equipment or the use of non-OEM parts.

**Improper Electrical Connections:** EVEREST is not responsible for any improper electrical connections resulting from electrical power failure, low or fluctuating voltage, incorrect amperage and the use of extension cords, generators or batteries.

**Outside the U.S.:** Warranty coverage does not apply to equipment sold or used outside of the United States.

These warranties are exclusive and in lieu of all other warranties, expressed or implied, and all other obligations or liabilities on our part, and we neither assume nor authorize any other person to assume for us any other obligation or liability in connection with the sale of said refrigeration equipment or any part thereof.



THIS PAGE INTENTIONALLY LEFT BLANK



**E** REFRIGERATION  
**EVEREST**

**A Step Above The Standard**

201 W. Artesia Blvd., Compton, CA 90220

Tel: 800-444-6285 / 310-323-6586

Fax: 310-323-7524 / 310-761-1127

[www.EVERESTref.com](http://www.EVERESTref.com)